

LED LED 230V IS500 IS1600 IS16231 220-240 V 50/60 Hz IP08 IP66 D

Dimensions: L, H, W, F, E

	L	H	W	F	E
600mm	650	88	89	370	100
1200mm	1200	88	89	820	200
1500mm	1500	88	89	1120	200

The luminaire is suitable for use in environments where an accumulation of conductive dust on the luminaire may be expected

**1**

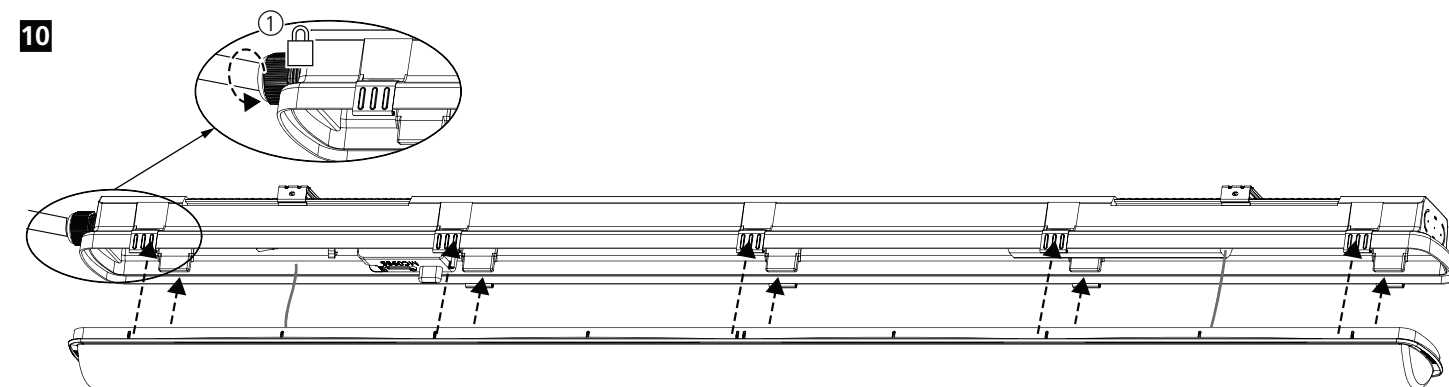
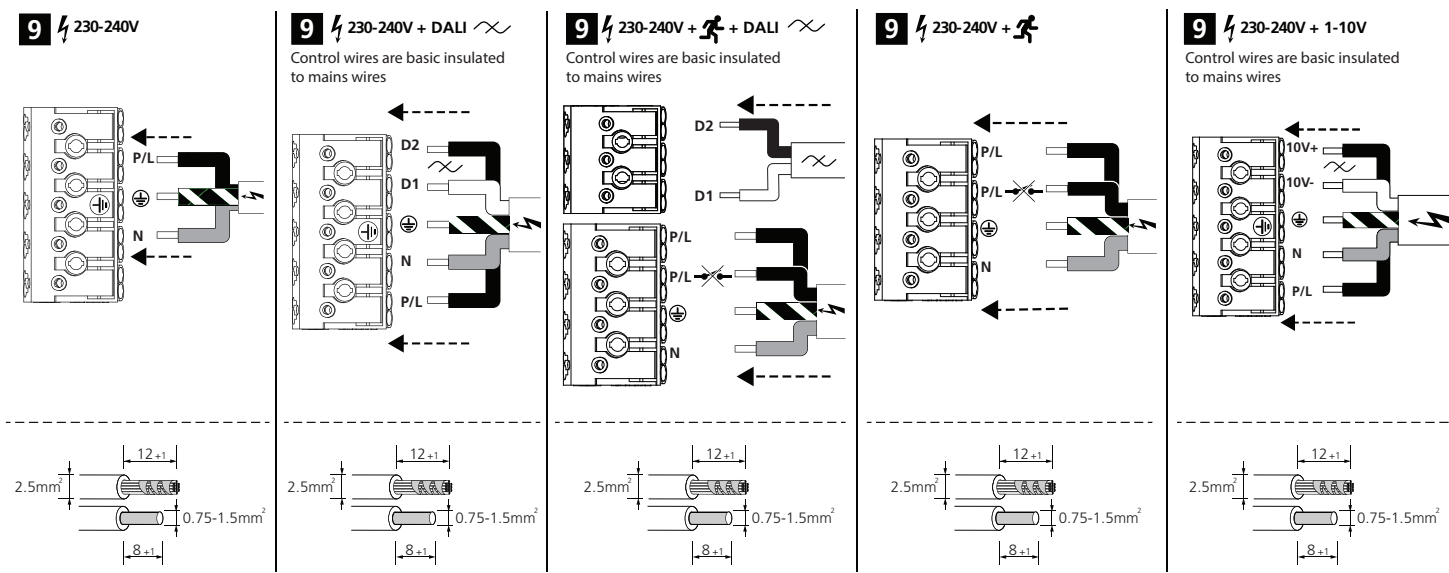
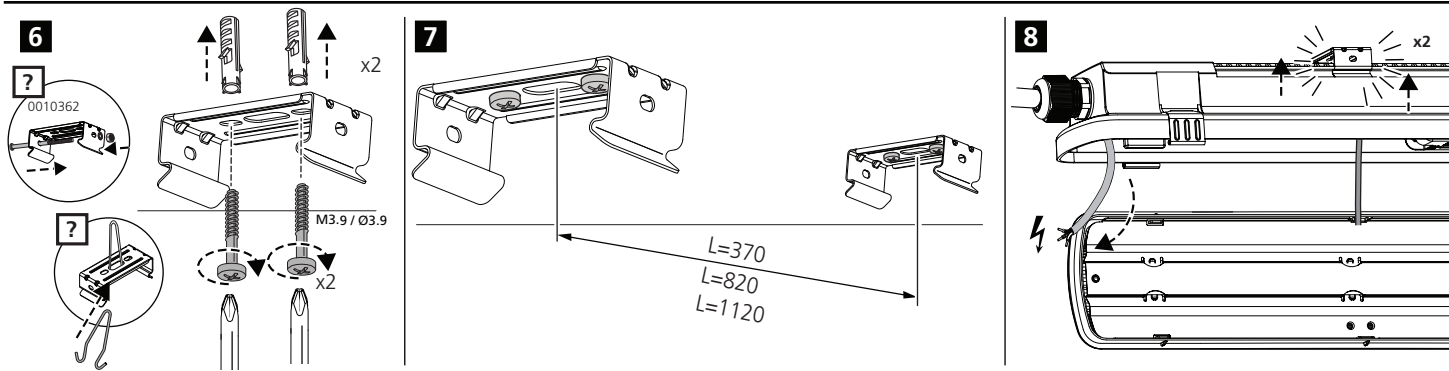
**2**

**3** 230-240V

L1200mm d e f  
 L1500mm d e f

**4** a to h ✓ i X

**5**



x6 - 600mm LED  
 x10 - 1200mm LED  
 x12 - 1500mm LED

