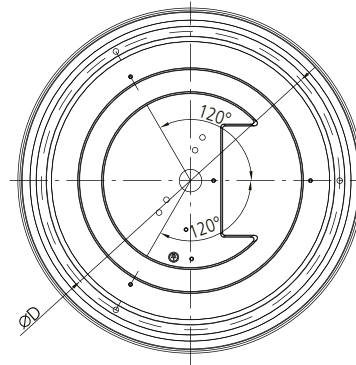
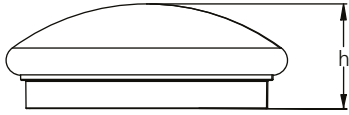


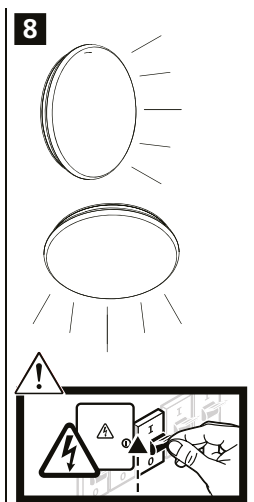
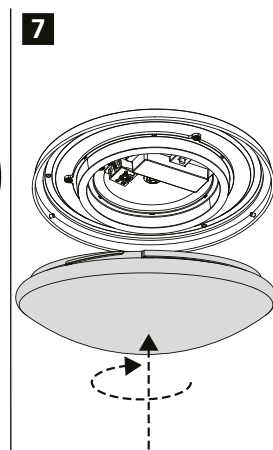
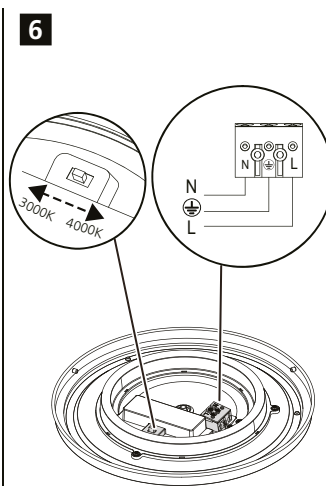
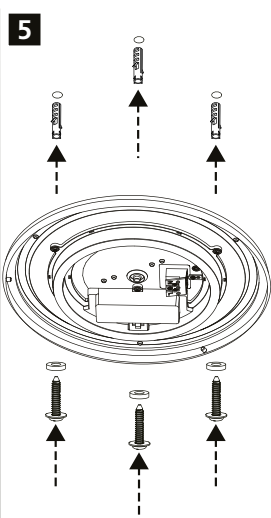
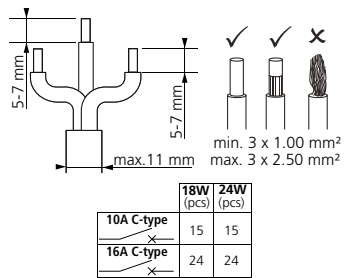
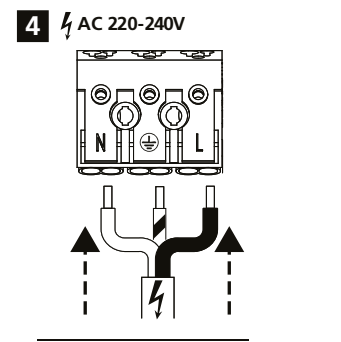
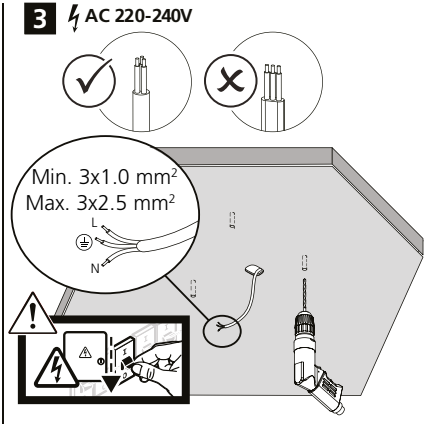
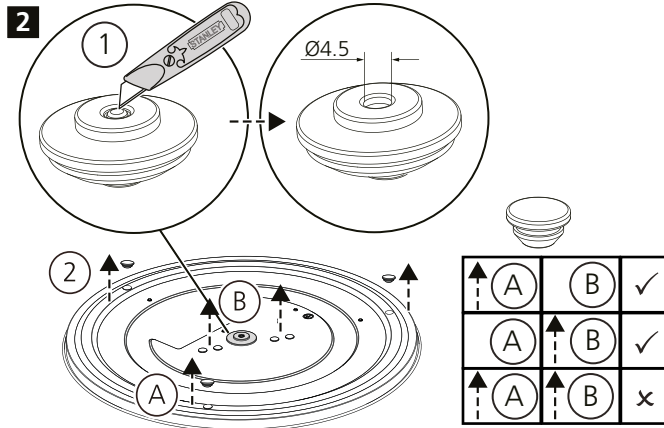
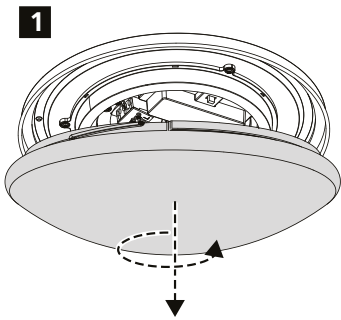
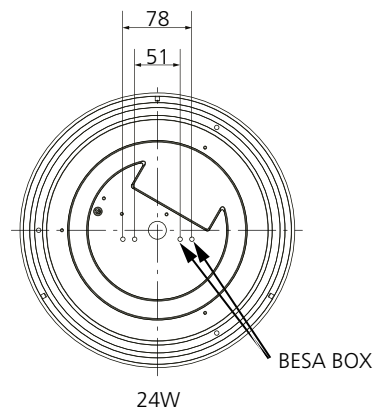
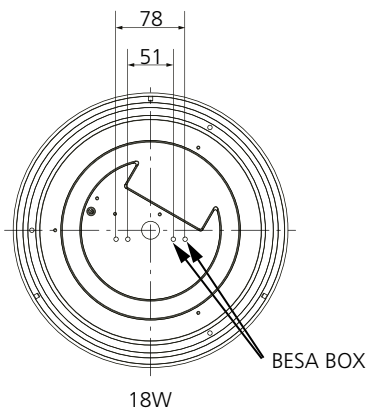
d = 330mm 18W
d = 360mm 24W



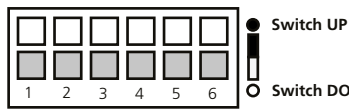
D = 265 mm 18W
D = 265 mm 24W



h = 96mm 18W
h = 100mm 24W

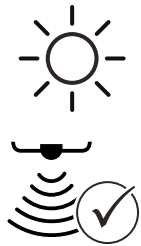


  **Sensitivity**



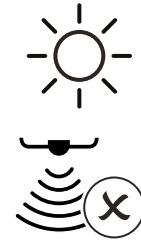
5	6	
●	●	Disable
○	●	50lux
●	○	10lux
○	○	2lux

LUX

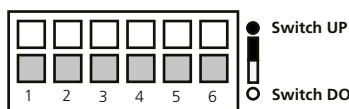


5	6	
●	●	Disable
○	●	50lux
●	○	10lux
○	○	2lux

LUX

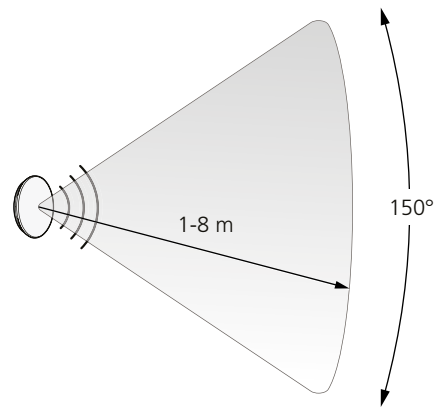
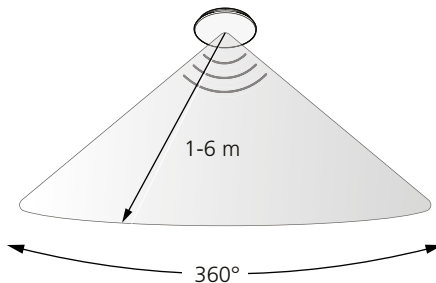


  **Detection range**

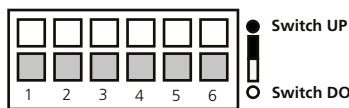


1	2	
●	●	100%
○	●	75%
●	○	50%
○	○	10%

SENS

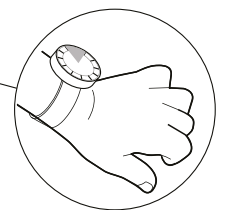
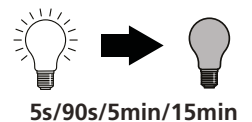
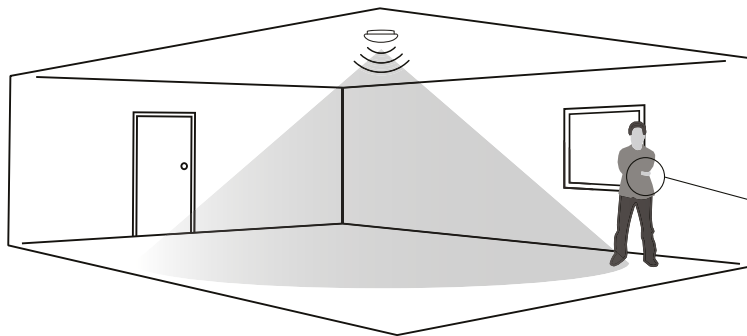


  **Delay**

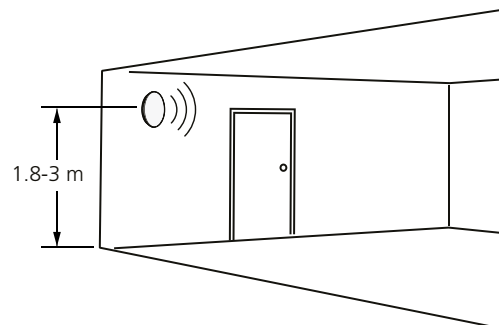
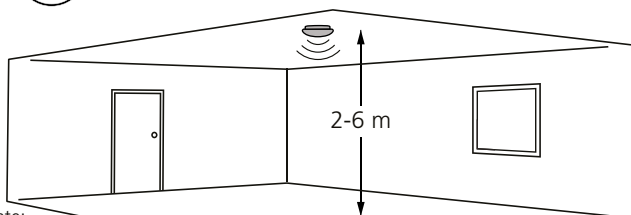


3	4	
●	●	5s
○	●	90s
●	○	5min
○	○	15min

TIME



  **Installation height**



Initial state:
CCT: 3000K
Detection area: 100%
Hold time: 90s
Daylight: 2lux