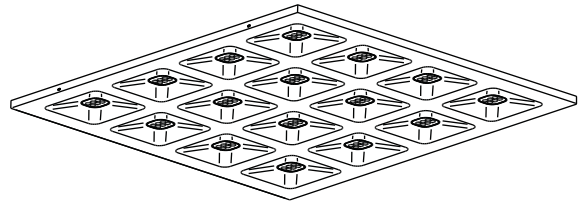
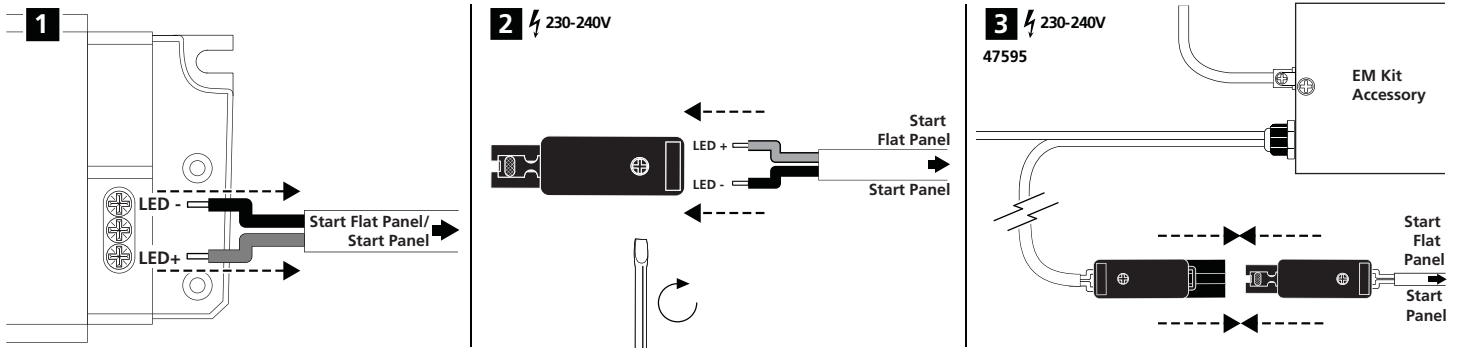


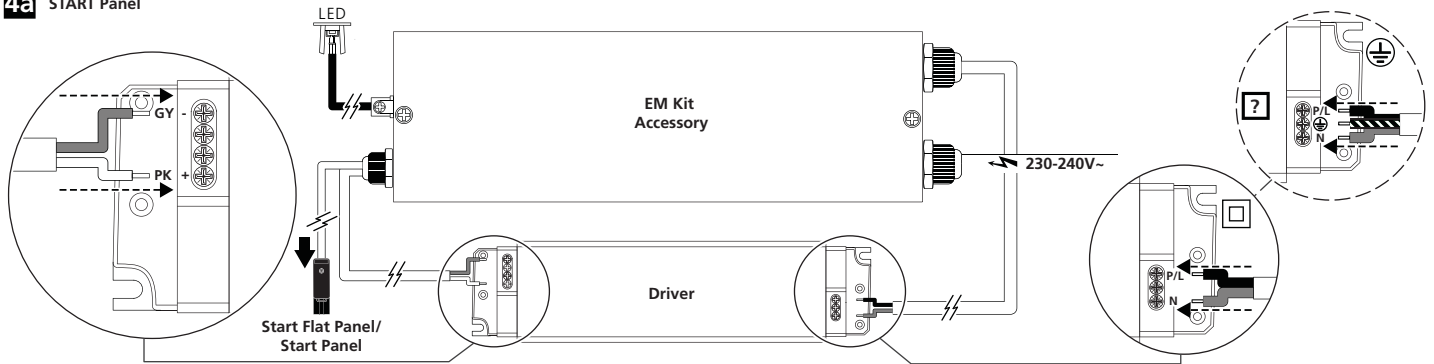
START Panel / START Panel Multipower



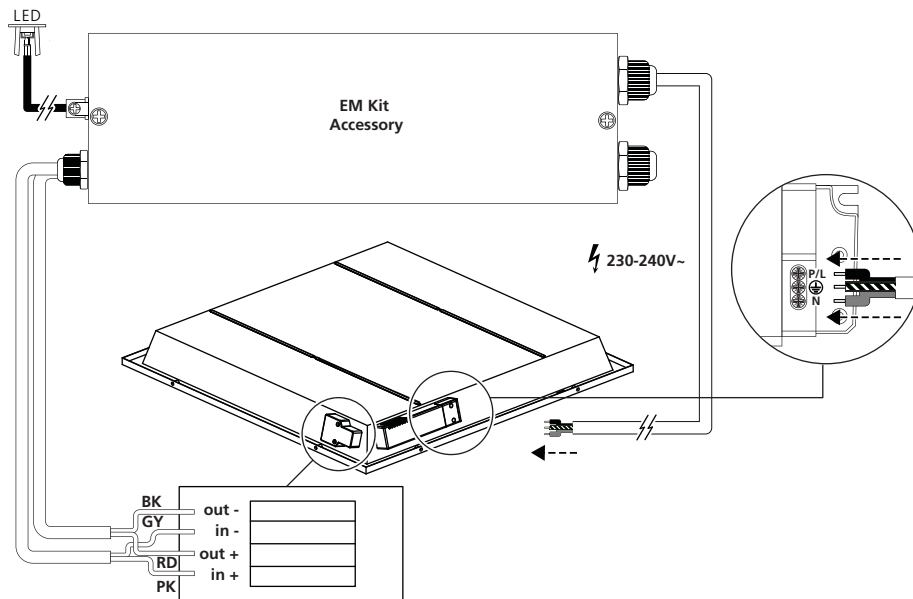
Quadro

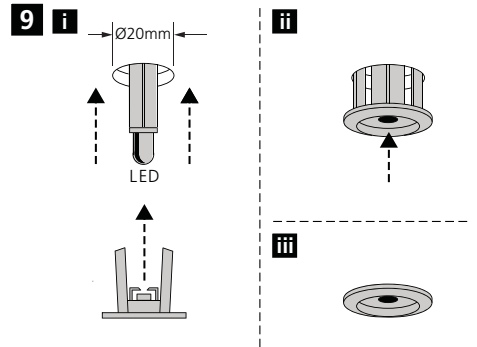
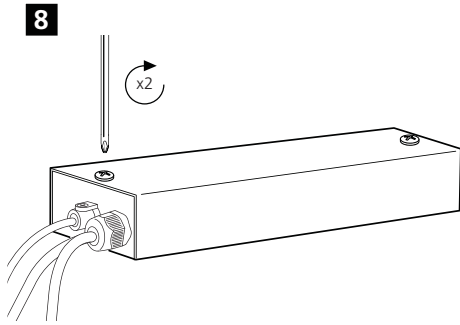
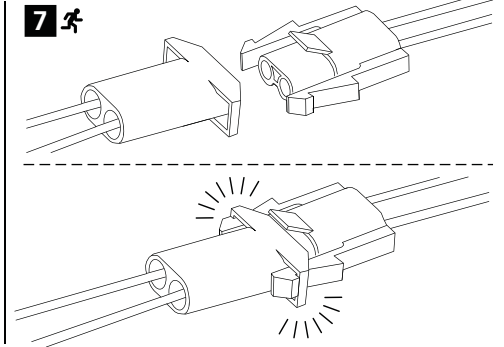
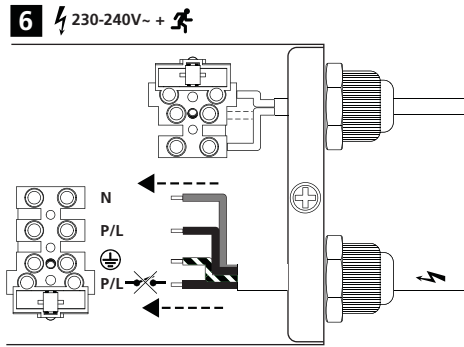
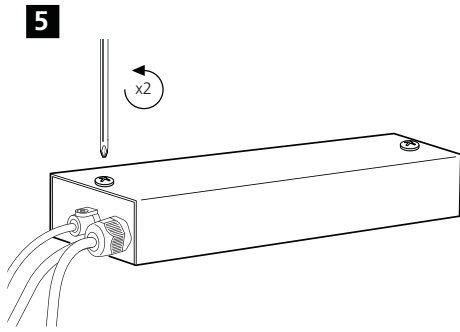


**4a** START Panel



**4b** START Panel Multipower





**iv**

COMMISSIONING DATE

JAN	FEB	MAR	APR
MAY	JUN	JUL	AUG
<del>SEP</del>	OCT	NOV	DEC
2010	2011	2012	2013
2014	2015	2016	2017
2018	2019	2020	2021