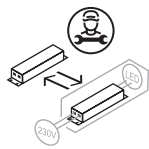
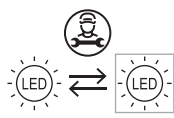


0049284 0049285  
0049286 0049287

0049288 0049289  
0049290 0049291



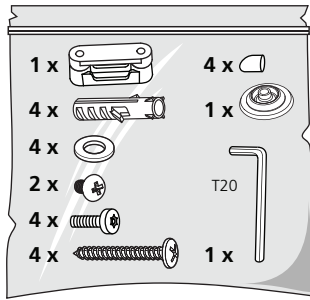
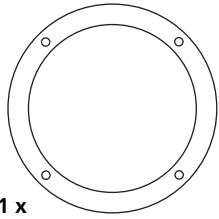
AC 220-240V 50/60Hz



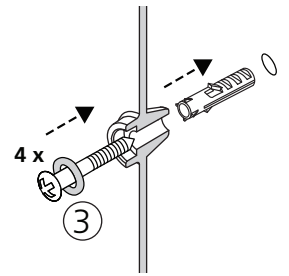
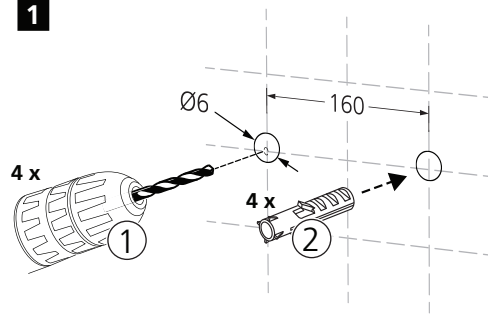
5.8GHz ± 75MHz (Ⓢ) 0.2mW



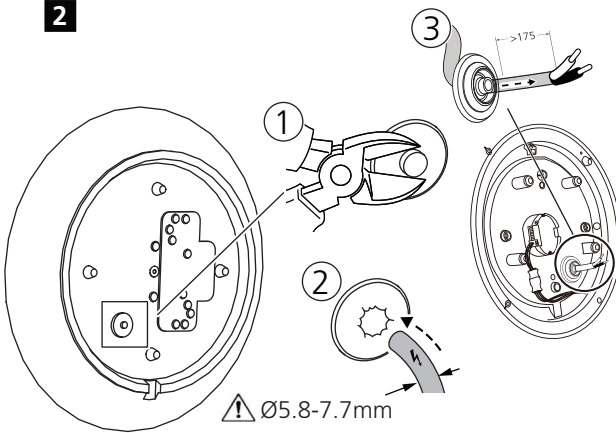
1 x



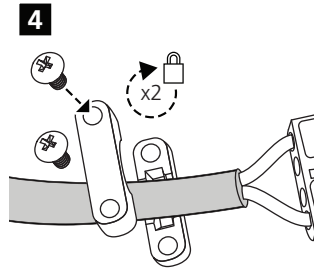
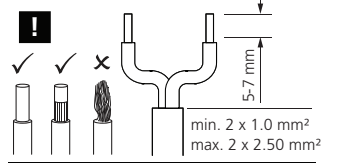
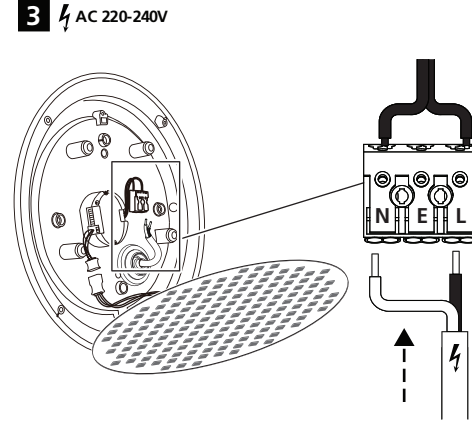
1



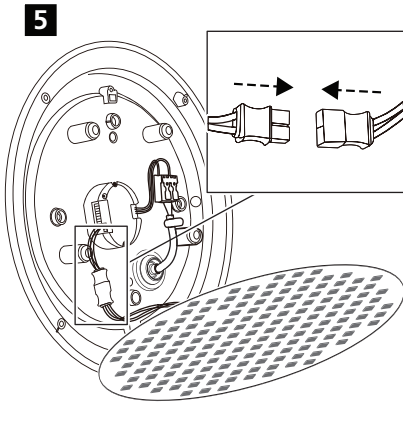
2



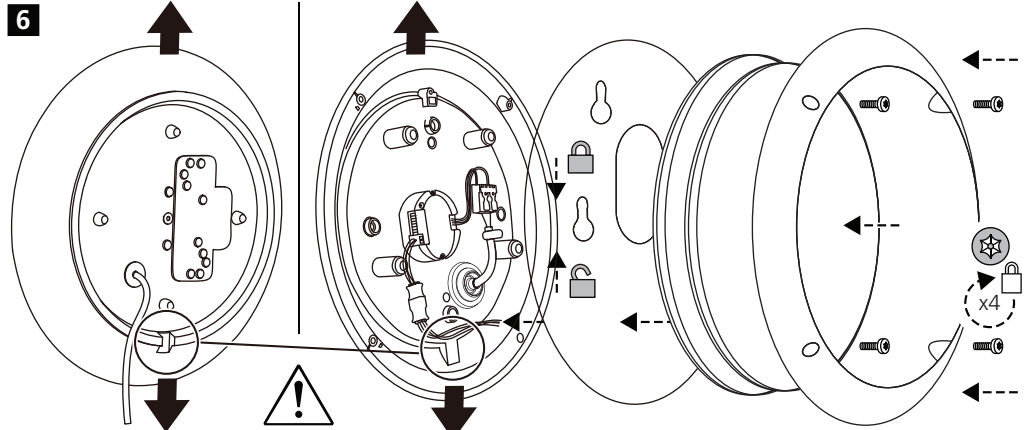
3 AC 220-240V



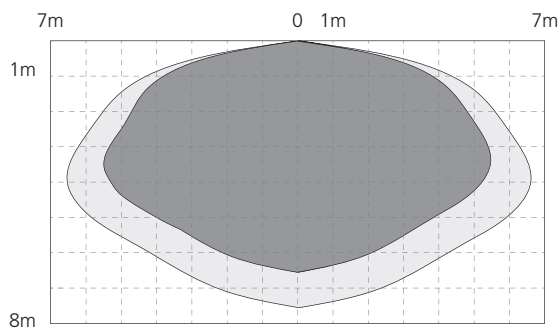
5



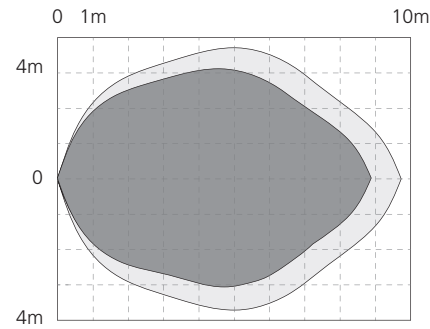
6



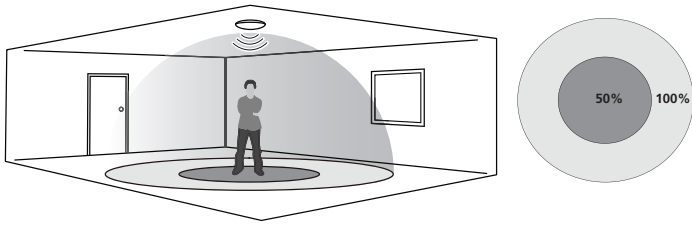
! Detection range - vertical



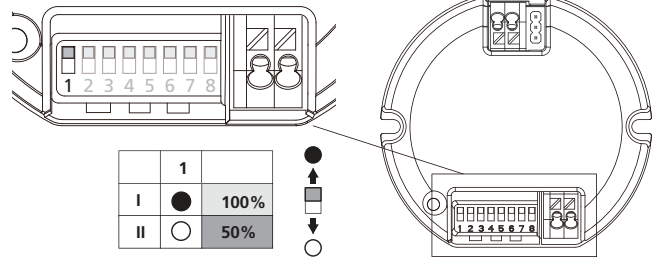
! Detection range - horizontal



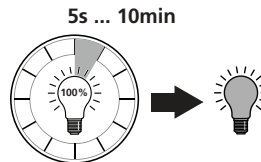
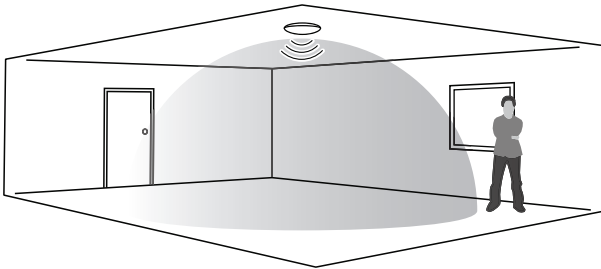
**7a** Sensitivity  
0049288, 0049289, 0049290, 0049291



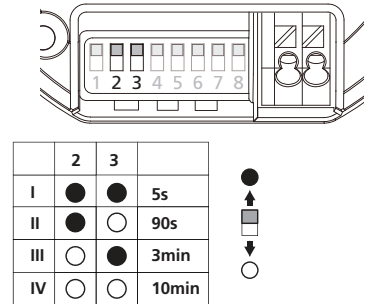
**7b** Sensitivity



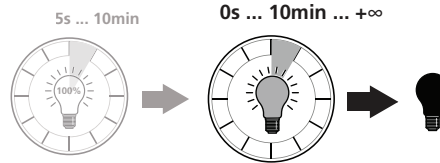
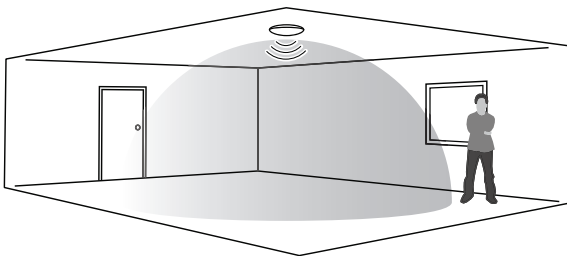
**8a** Hold time  
0049288, 0049289, 0049290, 0049291



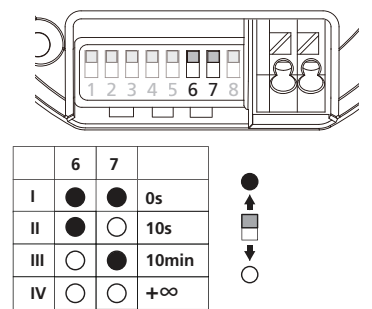
**8b** Hold time



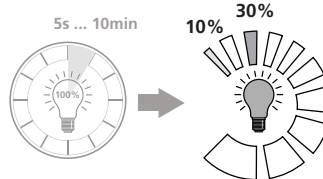
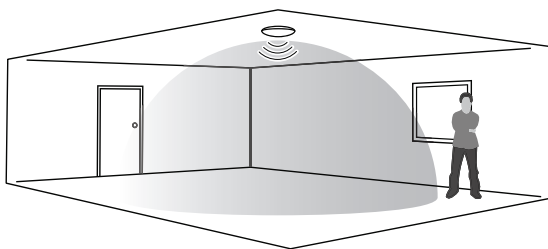
**9a** Stand-by time  
0049288, 0049289, 0049290, 0049291



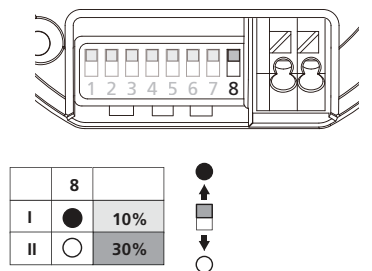
**9b** Stand-by time



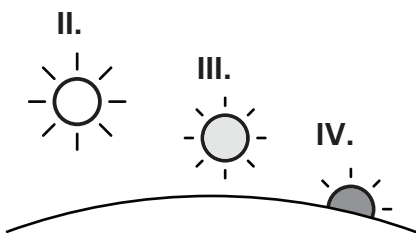
**10a** Stand-by dimming level  
0049288, 0049289, 0049290, 0049291



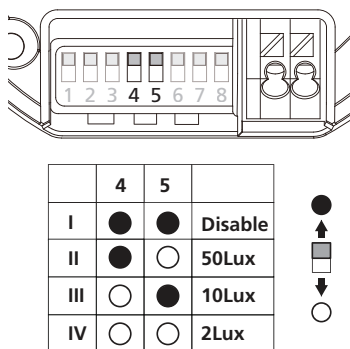
**10b** Stand-by dimming level



**11a** Daylight sensor  
0049288, 0049289, 0049290, 0049291



**11b** Daylight sensor



**12** Output current  
0049288, 0049289, 0049290, 0049291

