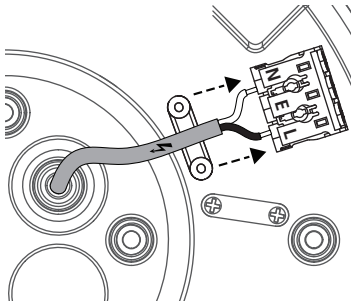
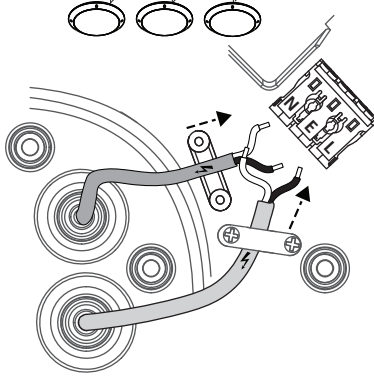


7a AC 220-240V

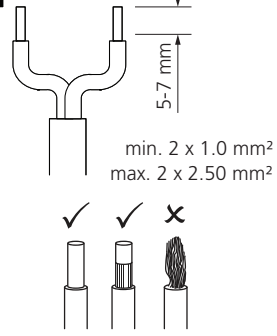


7b

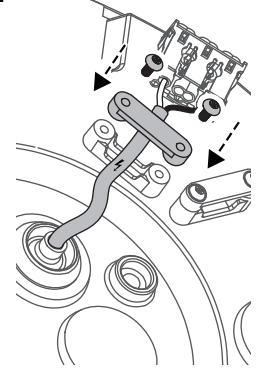
Total Max. 5 A



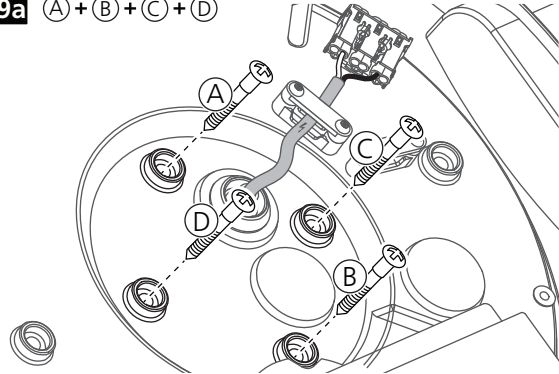
!



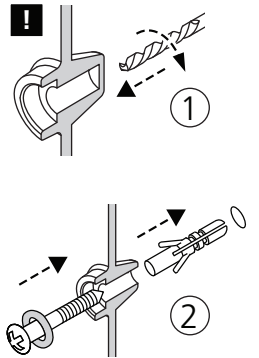
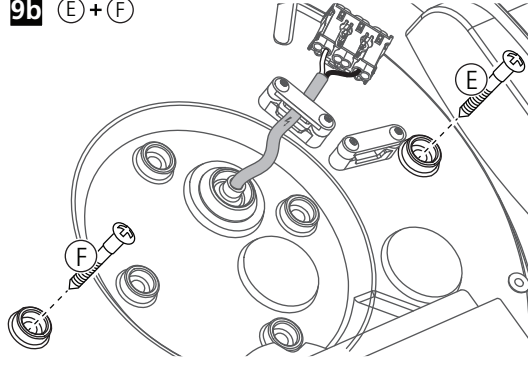
8



9a A + B + C + D



9b E + F

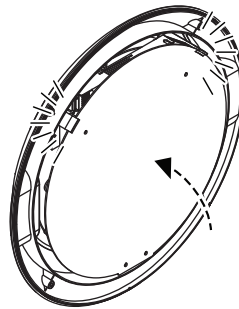


10

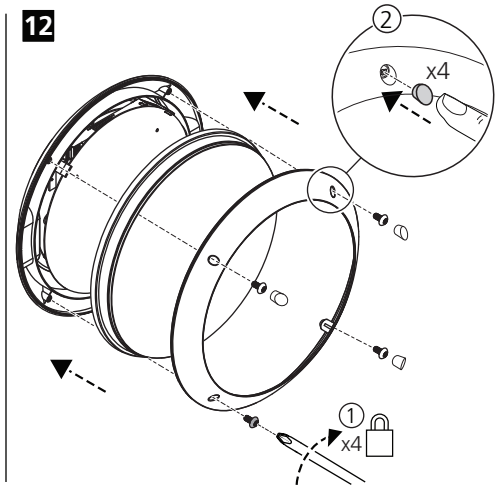


1	2	3	4	Io [mA]	P [W]	3000K [lm]	4000K [lm]	⊕	ta [°C]
○	○	○	○	150	7	860	900		-20°C — 45°C
●	○	○	○	200	9	1150	1200		
○	●	○	○	250	12	1450	1525		
○	○	●	○	300	14	1725	1825		
●	○	●	○	350	16	2000	2100		-20°C — 40°C
○	●	●	○	400	19	2300	2400		
●	●	●	○	450	21	2550	2650	⊕	
●	●	●	●	500	24	2800	2950		

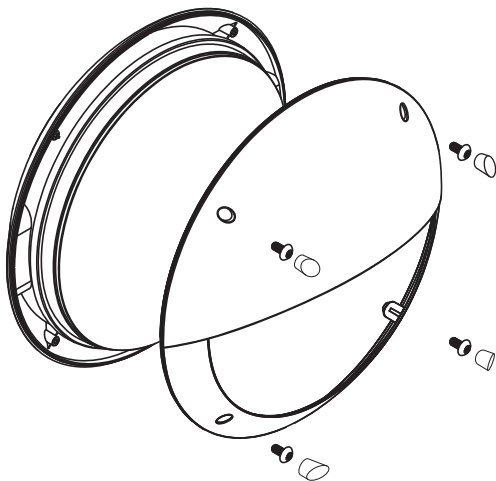
11



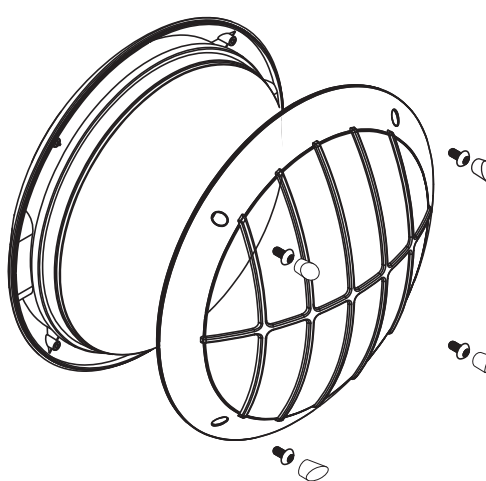
12



0049032, 0049033



0049034, 0049035



!

B-type / C-type	(max. pcs)
B10	30
B13	38
B16	45
B20	53
C10	38
C13	47
C16	57
C20	66