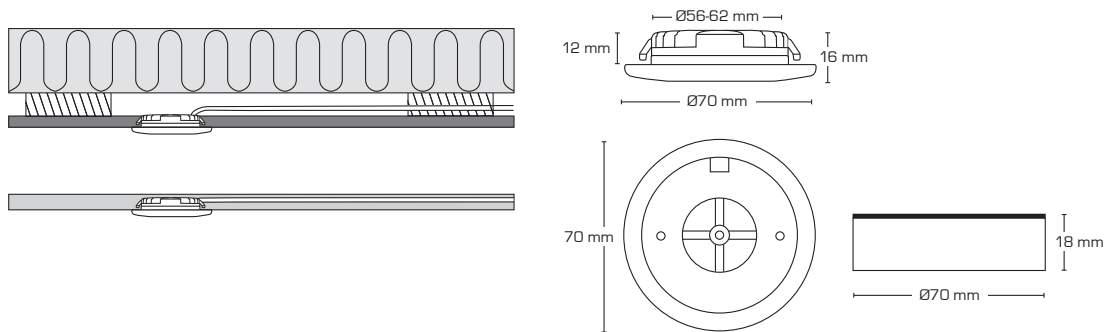
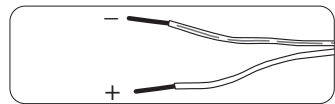


Please note:
Serial connection



| | | | | | | | | | | | | | |
|------------------|------|--------|------|--------|---------------|------|--------|-----|----------|--------------------|-----|-----|------------------|
| Serial: 350mA | IP44 | Indoor | 0.1m | Ø56-62 | H 12 mm | 3,2W | Ra >90 | 90° | Dimmable | 50.000h L90 B10 | III | M/M | Recycling symbol |
|------------------|------|--------|------|--------|---------------|------|--------|-----|----------|--------------------|-----|-----|------------------|



We refer to our website www.scan-products.com regarding: products, documentation, approvals, dimmer overview, etc.