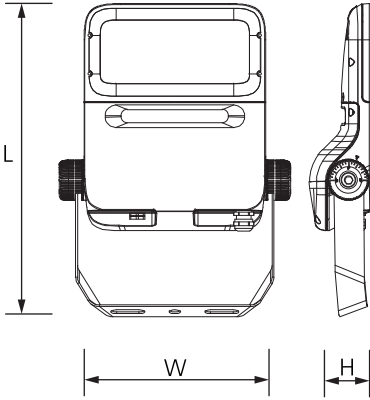
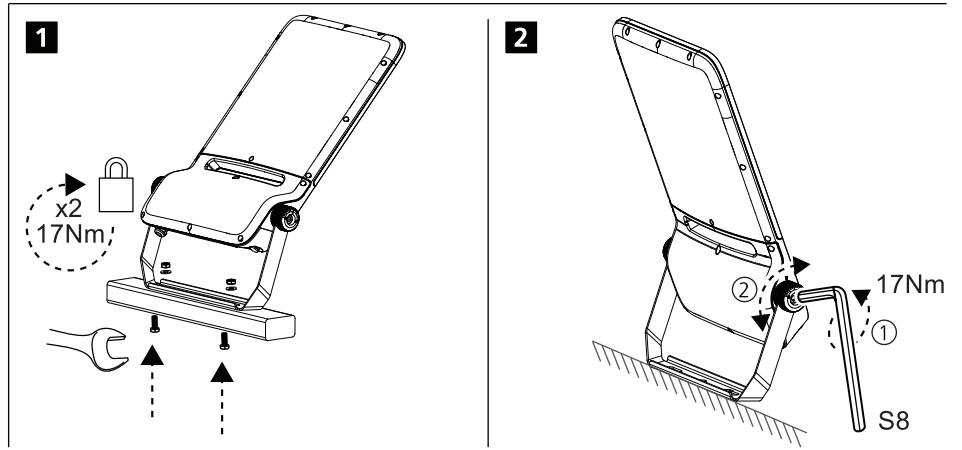
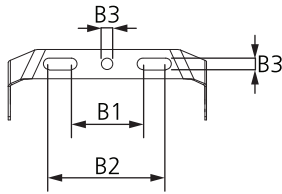


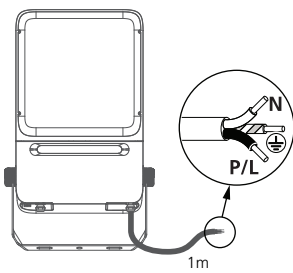
40KLM - x = 13.42m  
50KLM - x = 16.16m



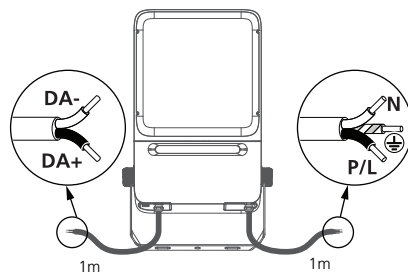
[KLM]	L [mm]	W [mm]	H [mm]	ON-OFF DALI	kg	lm/m²	ta [°C]	B1 [mm]	B2 [mm]	B3 [mm]
3	350	259	68	2.1 2.2	0.049	-40 ~ 50	80	130	13	
8	423	324	74	4.2 4.3	0.085	-40 ~ 50	150	200	13	
12 21	604	374	76	6.1 6.2 6.6 6.8	0.158	-40 ~ 45	150	200	13	
30 40 50	695	624	76	12.5 12.8 13.4 13.5 13.9 14.5	0.31	-40 ~ 50	300	350	13	



3a AC 220-240V



3b AC 220-240V + DALI



4 AC 220-240V

