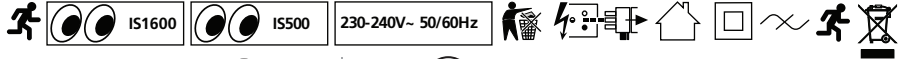
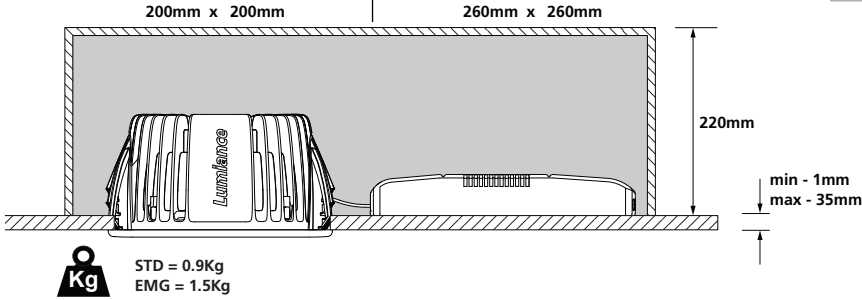
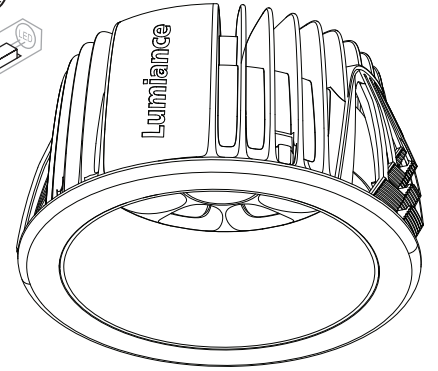
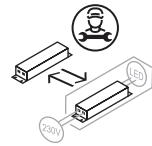
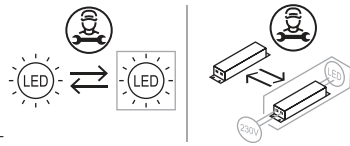


3098100 - 3098127

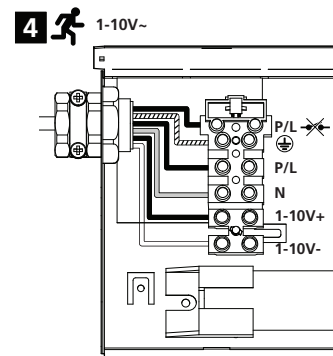
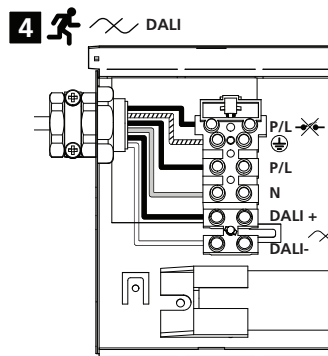
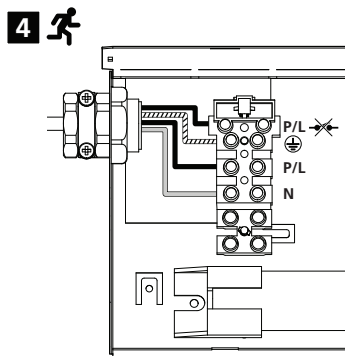
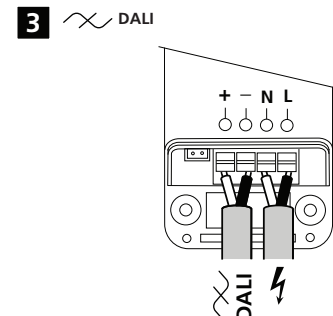
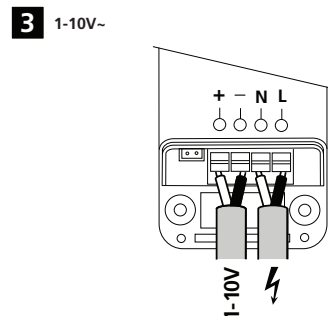
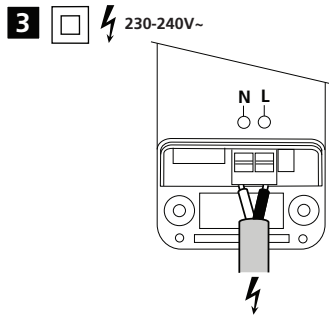
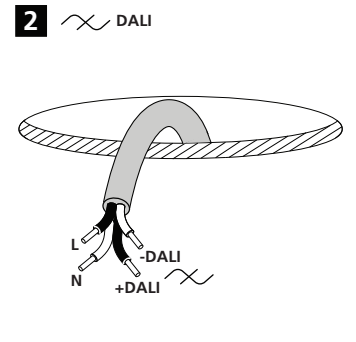
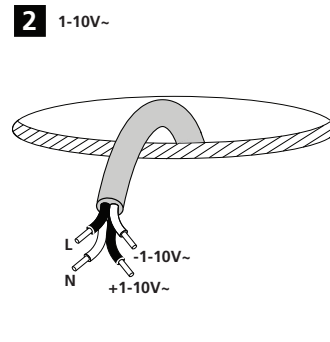
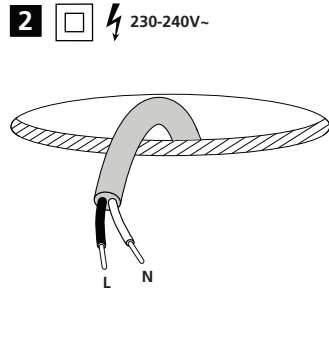
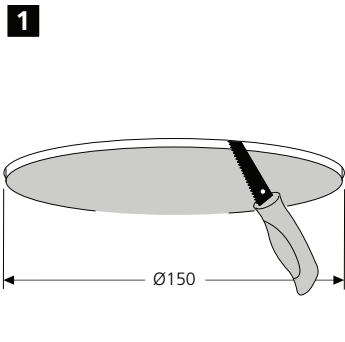


**STD**  
 INSAVER II 150 LO - 3098100 - 3098107  
 INSAVER II 150 HO - 3098114 - 3098121

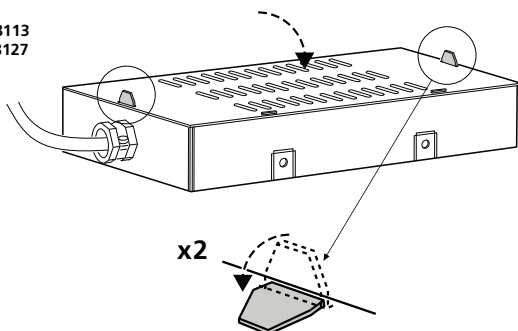
**EMG**  
 INSAVER II 150 LO E3 - 3098108 - 3098113  
 INSAVER II 150 HO E3 - 3098122 - 3098127



**Kg**  
 STD = 0.9Kg  
 EMG = 1.5Kg



**5**  
 3098108 - 3098113  
 3098122 - 3098127



COMMISSIONING DATE

JAN	FEB	MAR	APR
MAY	JUN	JUL	AUG
SEP	OCT	NOV	DEC
2010	2011	2012	2013
2014	2015	2016	2017
2018	2019	2020	2021

