

LED Mirror Light



Introduction

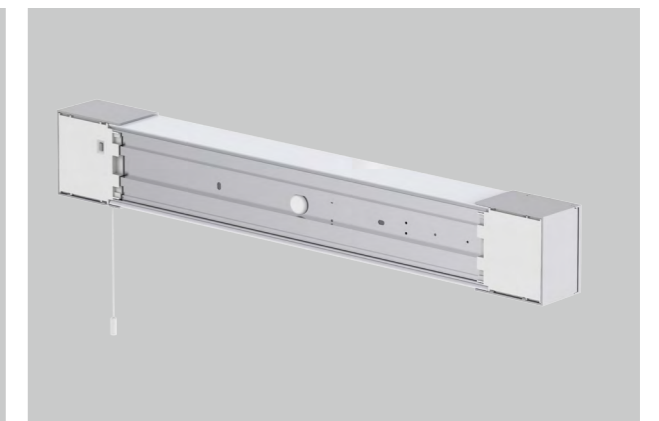
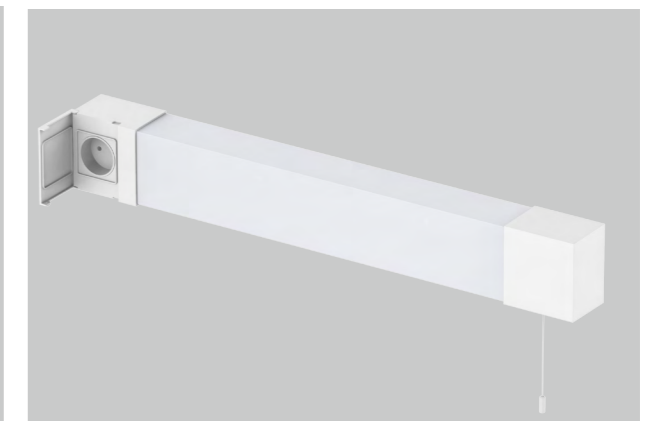
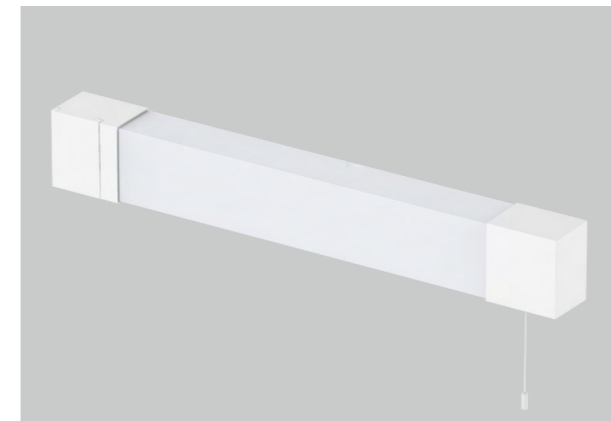
This mirror light has a wide beam angle, it adopts 2835 SMD high lumen light source, PC diffuser provides a uniform light output. It has an EU socket in end cap which can connect 16A high-power electrical device (eg. hair dryer). Both versions can do adjustable CCT, and they have separated pull switch, very convenient for operation.

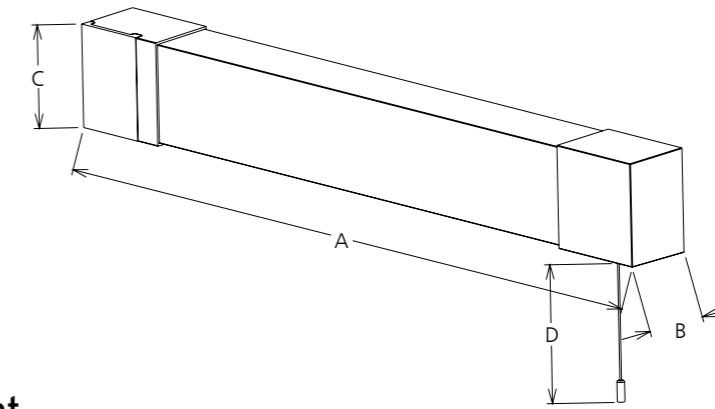
Features

- Wider beam angle 140 degree.
- With EU socket which can hold 16A electrical device.
- Separated pull switch.
- IP44 waterproof.
- Interchangeable CCT(3000K+4000K+5700K)with slide switch.
- Internal flicker free driver.

Application Areas

It is widely used in bathroom, dressing table, hotel room etc.





Technical Data Sheet

Code No.		ML25-600-8W	
Dimension(mm)		599*57*85	
Cutout (mm)		-	
Watt(W)		8W	
Rated Input Voltage(V)		AC230V	
Input Voltage(V)		AC220-240V	
LED Module Input		-	
Light Source		SMD	
SDCM		<6 @3000K	
CCT(K)		3-CCT: 3000K + 4000K + 5700K	
CCT Selection DIP Switch		YES	
Luminous Flux (lm) ±5%	Non-DIM	1-CCT	-
	DIM		-
	Non-DIM	3-CCT	750-850
	DIM		-
CRI		≥80	
Beam Angle (°)		140°	
UGR		-	
LED Driver		Built-in	
Dimming Option		-	
Sensor		-	
Emergency Kits		-	
Electrical Class		Class I	
Ingress Protection (IP Rating)		IP44	
Impact Resistance (IK Rating)		-	
Product Finishing(Base)		White RAL 9016 /Silver RAL9007	
Materials of Optics		PC	
Materials of Housing		PC+AL6063	
Lifetime (hr)		50,000h	
Glow wire test (°C)		750°C	
Operating Temp. (°C)		-20°C ~45°C	
Storage Temp. (°C)		-20°C ~65°C	
Installation		Wall mount	

Measurement

Code	Dimension(mm)				Size(mm)	Product Weight (Kg)		Package weight (Kg)		Carton Size(cm)	Qty/CTN	20GP (pcs)	40HQ (pcs)
	A	B	C	D		N.W/PC	G.W/PC	N.W/CTN	G.W/CTN				
ML25-600-8W-C3	599	57	85	190	599*57*85	0.735	0.82	8.9	9.8	65*29*27	12	6564	15012

Driver Datasheet (Non-dimmable)

		Total load wattage	8W	10W
Output	Output Voltage range	DC30-40V		
	Rated output current	200mA		250mA
	Line Regulation	±5%		
	Setup, Rise Time	<0.5S		
	Flickering Index	NO RISK		
	Input	Input Voltage	AC220-240V	
Rated Input Voltage(V)		AC230V		
Frequency		50/60Hz		
Input Current		0.05A		0.06A
Rated Input Current		0.04A		0.05A
Power Factor		0.8 @230V		0.9 @230V
THD		<20% @230V		<20% @230V
Efficiency		82% @230V		84%@230V
No load wattage		<0.5W		
Protection		Short circuit protection	Pass	
	Over voltage protection	Pass		
	Over temperature protection	Pass		
Safety &EMC	Withstand voltage	I/P-FG:1.5KVac,<5mA 60S		
	Isolation Resistance	500VDC, ≥2M Ω		
	Surge	IEC/EN61000-4-5(P<25W; L-N:500V, L/N-PE:1KV)		
	EMC Emission	EN55015, EN61000-3-2		
EMC Immunity	EN61000-4-2,3,4,5,6,8,11; EN61547			

Installation Procedure

WARNING ⚡

1. Switch off before installation.
2. Switch on only after complete installation and examination of the circuit.
3. Professional electrician for installation and maintenance only.



Surface mounted installation

