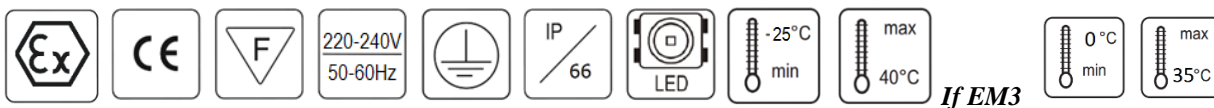


Explosion Proof IP66 Luminaire for Hazardous Zones 2, 22



Type:	Explosion proof IP66 luminaire designed for illumination of hazardous areas where an explosive atmosphere persists for a short period. Hazardous zones: 2, 22.
Specification:	Opal (LED) UV stabilized polycarbonate diffuser. White powder coated gear tray. Injection molded polycarbonate canopy, grey finished. Stainless steel diffuser retaining clips. Explosion group: gas: IIC, IIB, IIA dust: IIIC, IIIB, IIIA Protection degree: IP66 ATEX cable gland: 2xM20, 1xblanking plug Cable diameter: Ø7-13mm Ta: -25°C to 40°C (Ta with emergency kit: +0°C to 35°C) Luminaire is plastic-wrapped and boxed individually.
Installation:	Surface luminaire is designed to be fixed to ceilings of any type or suspended. Supplied with two fixing brackets for easy installation, sealing washer and accessories for chain and wire suspension. Installed luminaires has to be protected from mechanical damage.
Application:	Suitable for industrial areas and facilities with a danger of flammable gas, dust and vapour explosion. Marking of explosion-protection: II 3G Ex nA IIC T6 Gc; II 3D Ex tc IIIC T85°C Dc



1. PURPOSE

1.1 The suspended hermetic LED luminaires are meant for explosive environments. The protection class against external factors is IP66. The luminaires are used with the LED modules.

2. TECHNICAL CHARACTERISTICS

2.1 The luminaire is fed from the circuit of alternating current, with voltage of 220-240 V, frequency 50-60 Hz.

2.2 The main parameters and characteristics:

Table 1.

Name	Overall dimensions (LxWxH), mm	Lifetime, h	Luminaire output*, lm Ta=25°C	System power*, W	CRI (Ra)	CCT, K	kg
Barat LED1x1300 C101 T840 PC/PC OP IC Ex	662x96x111	50000	1279	12	80+	4000	1,30
Barat LED1x1900 C102 T840 PC/PC OP IC Ex	662x96x111	50000	1879	16	80+	4000	1,30
Barat LED2x1300 C104 T840 PC/PC OP IC Ex	662x146x111	50000	2558	24	80+	4000	1,80
Barat LED2x1900 C105 T840 PC/PC OP IC Ex	662x146x111	50000	3759	31	80+	4000	1,80
Barat LED1x2600 C107 T840 PC/PC OP IC Ex	1272x96x111	50000	2558	24	80+	4000	2,10
Barat LED1x3800 C108 T840 PC/PC OP IC Ex	1272x96x111	50000	3759	31	80+	4000	2,10
Barat LED2x2600 C110 T840 PC/PC OP IC Ex	1272x146x111	50000	5117	46	80+	4000	2,80
Barat LED2x3800 C111 T840 PC/PC OP IC Ex	1272x146x111	50000	7518	62	80+	4000	2,80
Barat LED1x3200 C113 T840 PC/PC OP IC Ex	1572x96x111	50000	3198	29	80+	4000	2,60
Barat LED1x4700 C114 T840 PC/PC OP IC Ex	1572x96x111	50000	4699	39	80+	4000	2,60
Barat LED2x3200 C116 T840 PC/PC OP IC Ex	1572x146x111	50000	6396	58	80+	4000	3,30
Barat LED2x4700 C117 T840 PC/PC OP IC Ex	1572x146x111	50000	9397	78	80+	4000	3,30

Barat LED Ex emergency version:

Name	Overall dimensions (LxWxH), mm	Lifetime, h	Luminaire output*, lm Ta=25°C	System power*, W	CRI (Ra)	CCT, K	kg
Barat LED1x2600 C107 T840 PC/PC OP IC EM3 Ex	1272x96x111	50000	2558	24	80+	4000	2,70
Barat LED1x3800 C108 T840 PC/PC OP IC EM3 Ex	1272x96x111	50000	3759	31	80+	4000	2,70
Barat LED2x2600 C110 T840 PC/PC OP IC EM3 Ex	1272x146x111	50000	5117	46	80+	4000	3,40
Barat LED2x3800 C111 T840 PC/PC OP IC EM3 Ex	1272x146x111	50000	7518	62	80+	4000	3,40
Barat LED1x3200 C113 T840 PC/PC OP IC EM3 Ex	1572x96x111	50000	3198	29	80+	4000	3,20
Barat LED1x4700 C114 T840 PC/PC OP IC EM3 Ex	1572x96x111	50000	4699	39	80+	4000	3,20
Barat LED2x3200 C116 T840 PC/PC OP IC EM3 Ex	1572x146x111	50000	6396	58	80+	4000	3,90
Barat LED2x4700 C117 T840 PC/PC OP IC EM3 Ex	1572x146x111	50000	9397	78	80+	4000	3,90

**Type Examination Certificate Number:
OBAC 16 ATEX....**

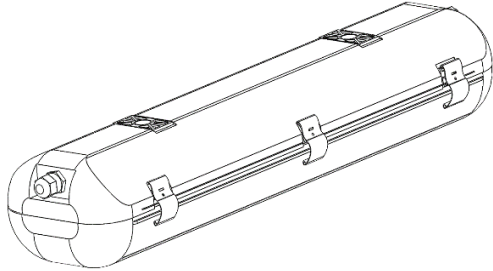
II 3G Ex nA IIC T6 Gc; II 3D Ex tc IIIC T85°C Dc,

Type: Barat LED1x....Ex

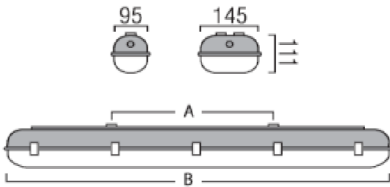
Light source	LED module
Type of power source	LED driver
Temperature class	T6
T _{max. surface}	85°C

Type: Barat LED2x....Ex


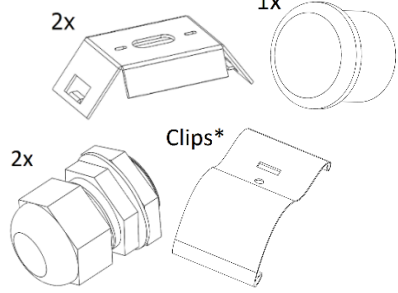
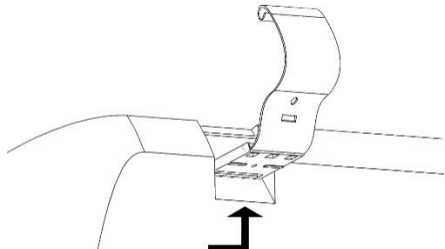
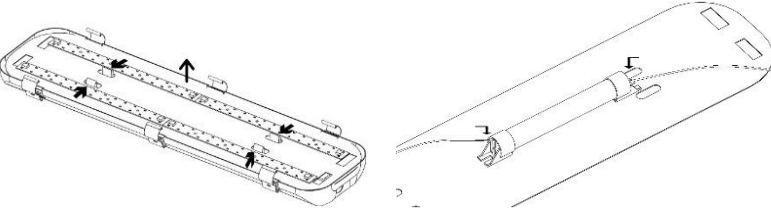
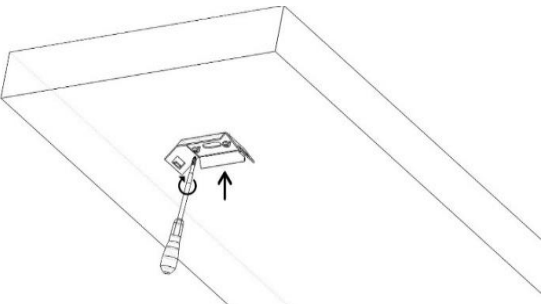
Light source	LED module
Type of power source	LED driver
Temperature class	T6
T _{max. surface}	85°C

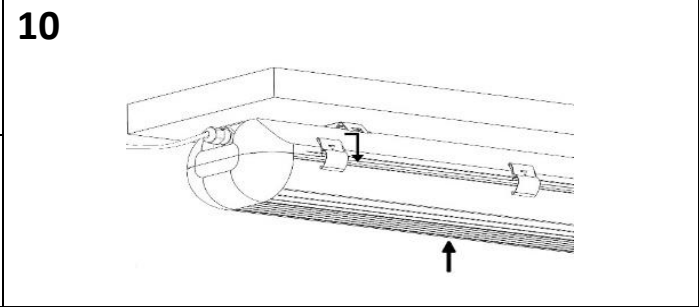
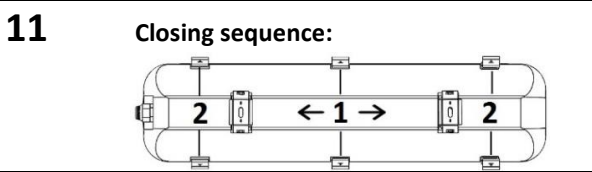
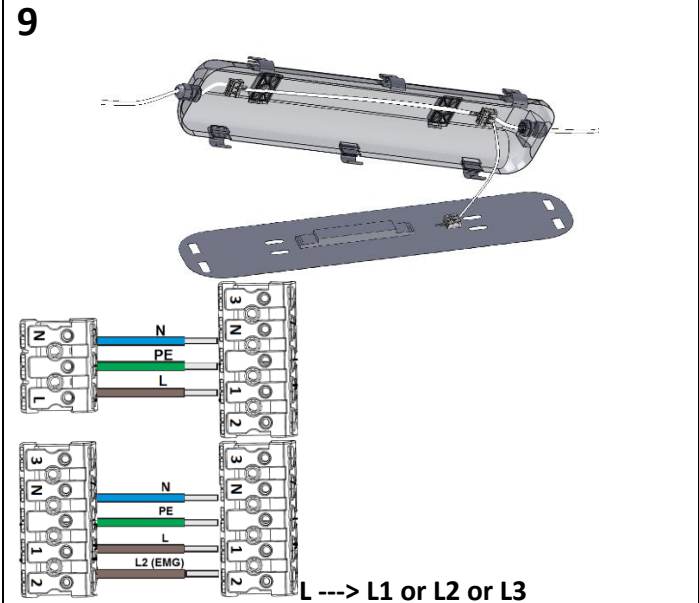
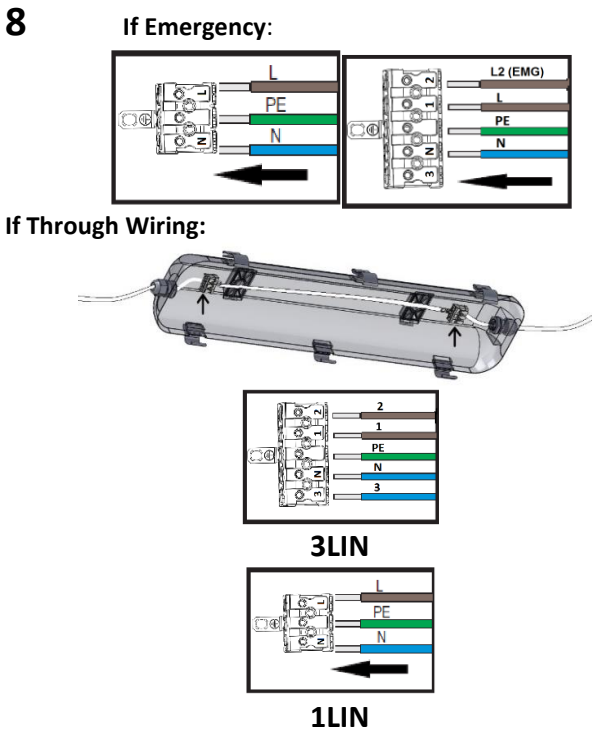
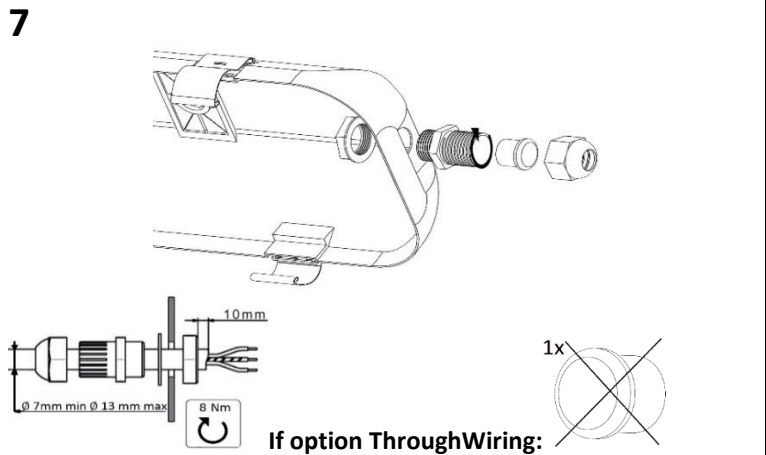
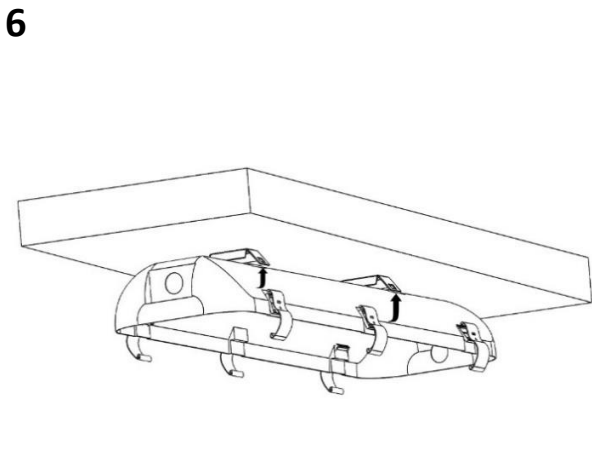
<p>LT Montavimo instrukcija LV Instalācijas intrukcija EE Paigaldusjuhised UK installation instruction DE Montageanleitung RU Инструкция по установке PL Instukcja montazu DK Installationsvejledning FI Asennusohjeet</p>	
--	--

Atsargumo priemonės (LT). Montavimo darbus gali atlikti tik atestuotas elektrikas; Išjunkite elektros tiekimą prieš atliekant bet kokius darbus; Šviestuvus turi būti sumontuotas laikantis visų saugumo reikalavimų; Dėmesio! Tikslus šviestuvo modelis pažymėtas ant etiketės jo viduje. **Precautions (EN).** Installation can only be performed by an authorized electrician; Switch off the electricity supply before carrying out any work; Luminaire must be installed in compliance with all safety requirements; Attention! The exact model of the fixture marked on label inside it. **Меры предосторожности (RU).** Установка может быть выполнена только квалифицированным электриком; Отключить напряжение питания перед проведением любых работ; Светильник должен быть установлен в соответствии со всеми требованиями безопасности; Внимание! Точная модель прибора указаны на этикетке внутри него. **Ettevaatusabinõud (EST).** Paigaldamise võib teostada ainult volitatud elektrik; Lülitage välja toide enne paigaldustööde alustamist; Valgusti peab olema paigaldatud vastavalt kõigile ohutusnõuetele; Tähelepanu! Toote täpne mudel on toote etiketil. **Piesardzības pasākumi (LV).** Uzstādīšanu var veikt tikai kvalificēts elektrīķis; Izslēdziet elektroenerģijas padevi, pirms veikt jebkuru darbu; Gaismekļa jāuzstāda atbilstoši visām drošības prasībām; Uzmanību! Precīzs modelis statīva atzīmēti uz etiķetes tā iekšpusē. **Środki ostrożności (PL).** Instalacja może być wykonywana tylko przez uprawnionego elektryka; Wyłączyć zasilanie elektryczne przed przystąpieniem do pracy; Oprawa musi być zainstalowany zgodnie ze wszystkimi wymogami bezpieczeństwa; Uwaga! Dokładny model urządzenia oznaczone na etykiecie w środku.



	Barat LED EX	A	B	Clips*, pcs.
Ex	Barat LED1x1300 C101 T840 PC/PC OP IC Ex	350	662	6
Ex	Barat LED1x2600 C107 T840 PC/PC OP IC Ex	700	1272	10
Ex	Barat LED1x4700 C114 T840 PC/PC OP IC Ex	940	1572	12
Ex	Barat LED2x1300 C104 T840 PC/PC OP IC Ex	350	662	6
Ex	Barat LED2x2600 C110 T840 PC/PC OP IC Ex	700	1272	10
Ex	Barat LED2x4700 C117 T840 PC/PC OP IC Ex	940	1572	12

<p>1 OFF</p> 	<p>2</p> 	<p>3</p> 
<p>4 Red – positive. Black – negative</p> 	<p>5</p> 	



Exploitation:

If the lens is dirty clean it with a damp cloth only

- Electrostatic sensitive devices.

Do not enter without proper static control devices

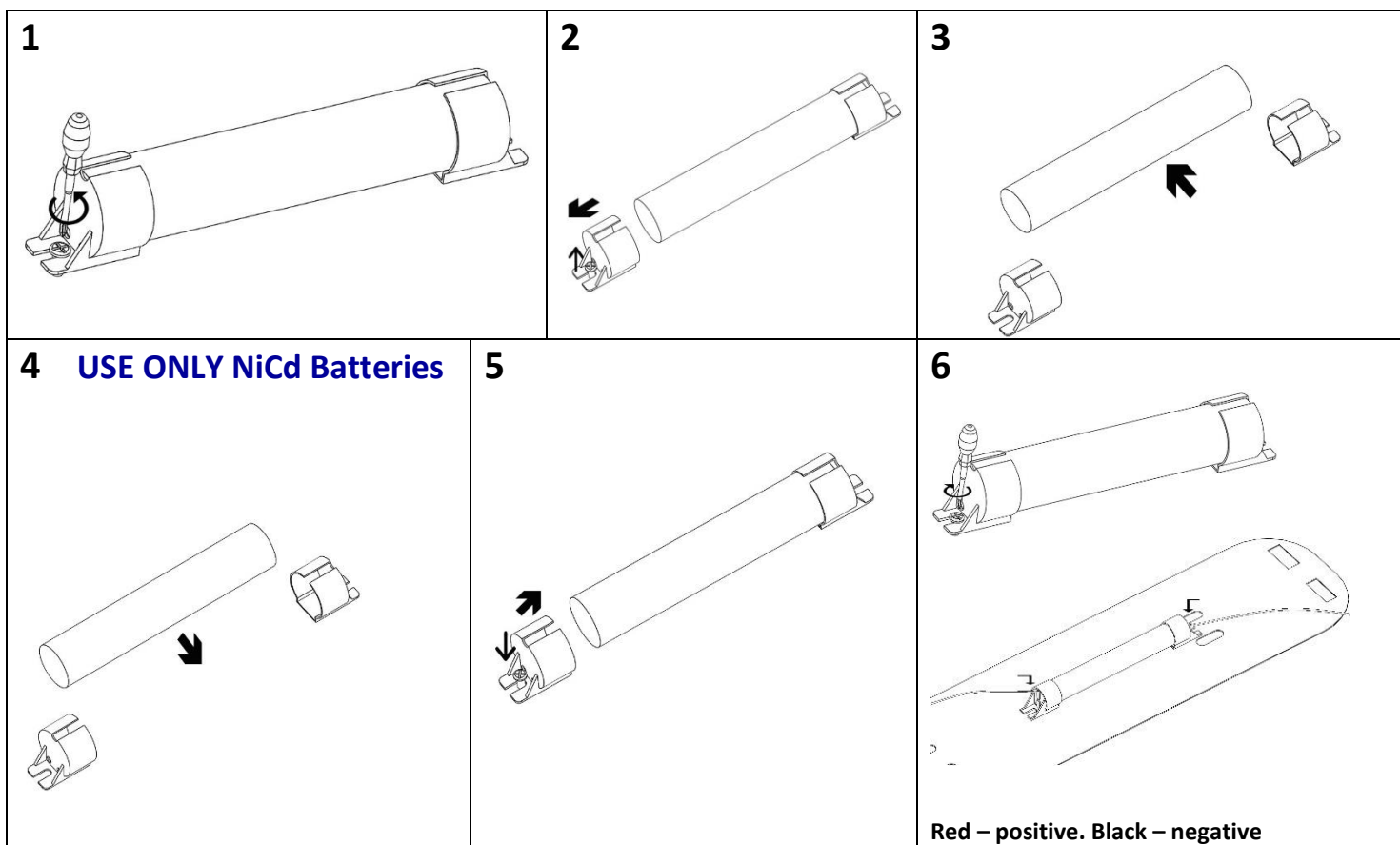
USER TO REPLACE BATTERIES



Accu-NiCd 4A 55
Nickel-cadmium cells (NiCd)

Batteries technical information:

Connection:	blade terminal
Number of cells:	4
Capacity	4.5Ah



Damage/improper use

If the battery is damaged or user incorrectly vapours and liquids may escape from it. If you come into contact with battery fluid wash immediate with water and seek medical assistance if necessary.

WARNING – DO NOT CHANGE THE BATTERY WHEN THE EXPLOSIVE ATMOSPHERE IS POSSIBLE